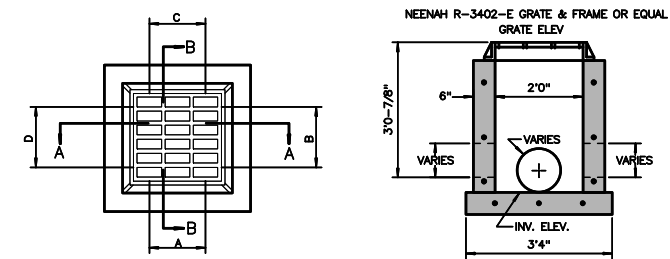


PLAN VIEW ABBEY DETENTION BASIN

BOX #	A	B	C	D	GRATE ELEV.	INV. ELEV.
BOX 1	15"			12"	5342.34	5338.34
BOX 2	15"	15"			5340.74	5336.74
BOX 3	15"		15"		5338.12	5335.12
BOX 4	15"		15"		5336.84	5333.34
BOX 5	24"	15"			5334.76	5332.76
BOX 6	18"		12"		5354.20	5351.20



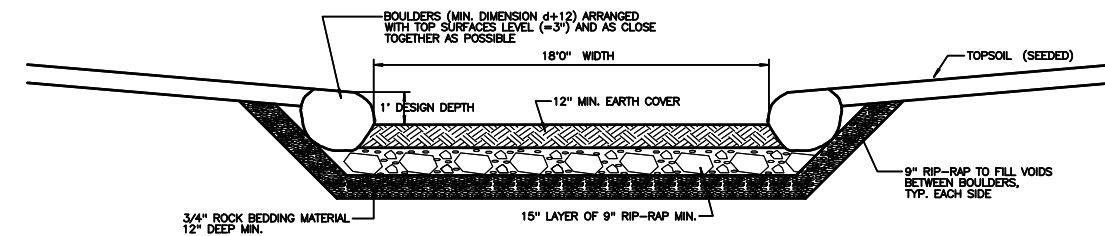
PLAN VIEW

SECTION A-A

TRAFFIC RATED GRATE & PRECAST CATCH BASIN ASSEMBLY
(RATED FOR HS-20 LOADING)

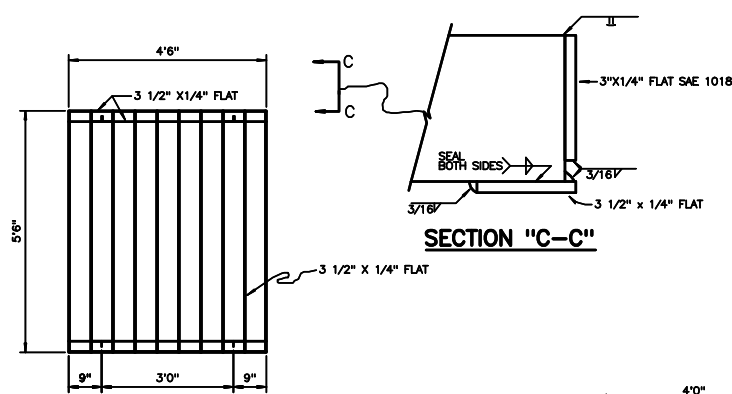
INLET BOX DETAIL

SCALE: 1/2" = 1'-0"



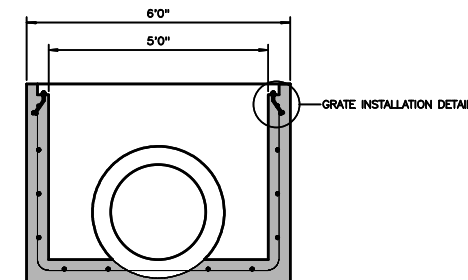
LOW FLOW CHANNEL

SCALE: 1/4" = 1'-0"



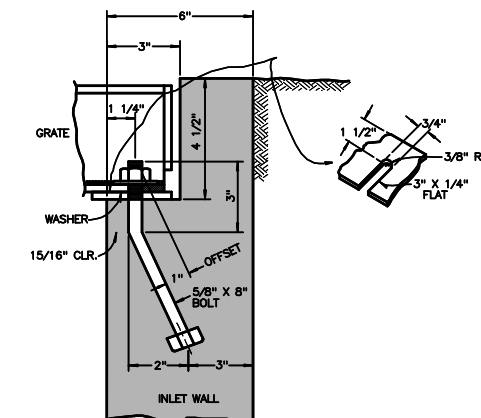
SECTION "C-C"

GRATE
SCALE: 1/2" = 1'-0"



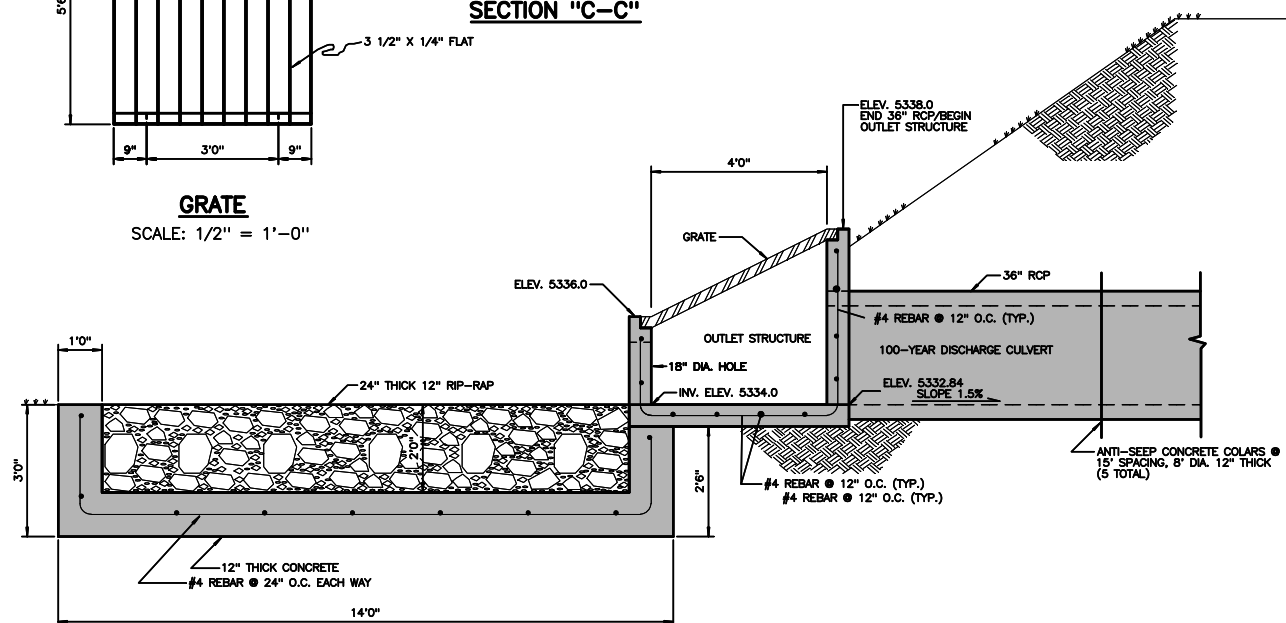
SECTION "B-B" OUTLET STRUCTURE

SCALE: 1/2" = 1'-0"



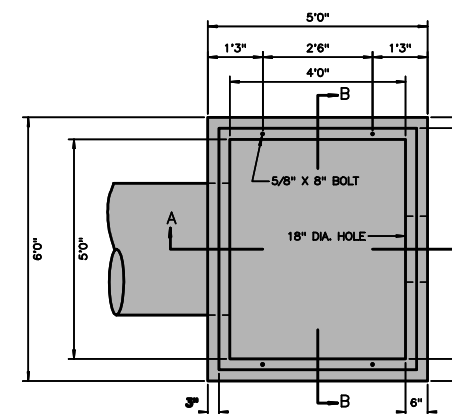
GRATE INSTALLATION DETAIL

N.T.S



SECTION "A-A" OUTLET STRUCTURE

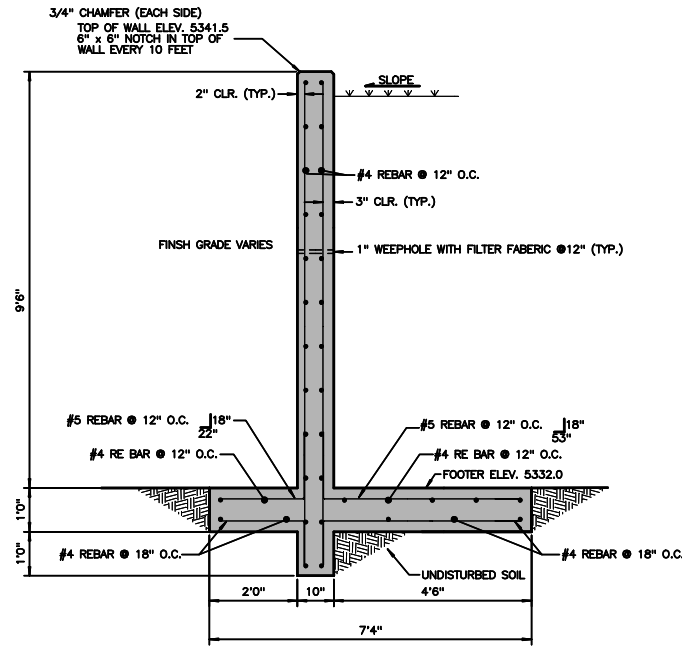
SCALE: 1/2" = 1'-0"



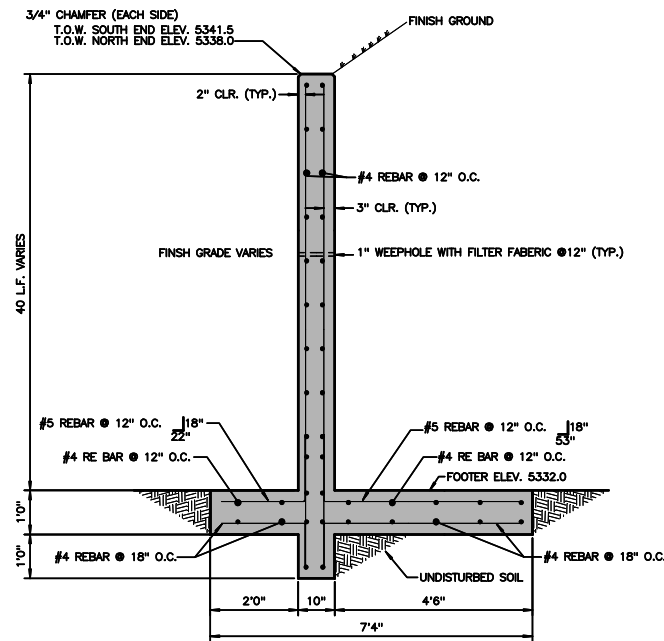
OUTLET STRUCTURE PLAN

SCALE: 1/2" = 1'-0"

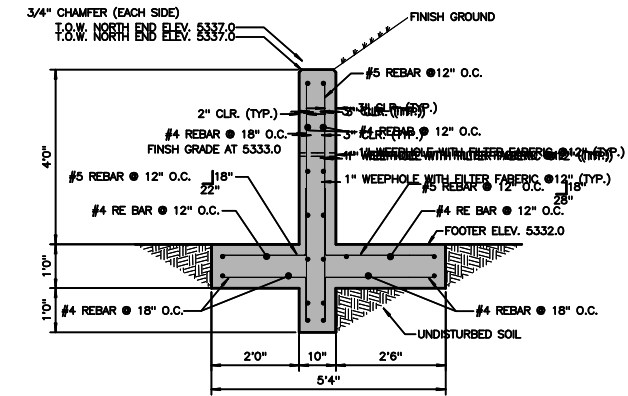
GENERAL TOLERANCE	ADDA National Design/Drafting Contest CAÑON CITY HIGH SCHOOL 1818 COLLAGE AVE.	
FRACTIONS ± 1/8"	ABBEY DETENTION BASIN	
DECIMALS ± .01	DRAWN: DAMON MCCAIN	INSTRUCTOR: MIKE CESSAMAN
ANGLES ± 0° - 15'	DATE: 12/09/08	INSTRUCTOR E-MAIL: mcessaman@canoncityschools.org
		SHEET 3 OF 7 SHEETS CATCHMENT DIVISION BC-STRU



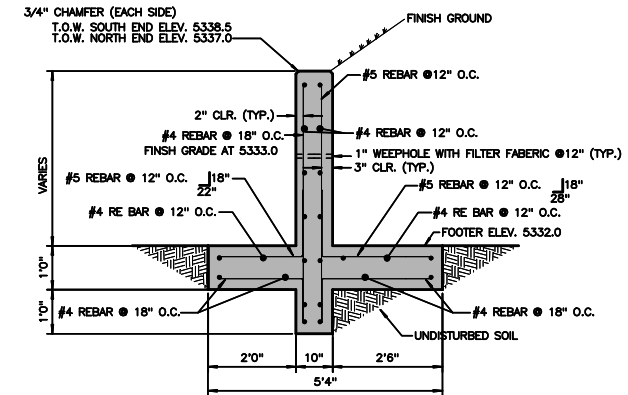
OUTLET STRUCTURE WALL SECTION "A-A"
SCALE: 1/2" = 1'-0"



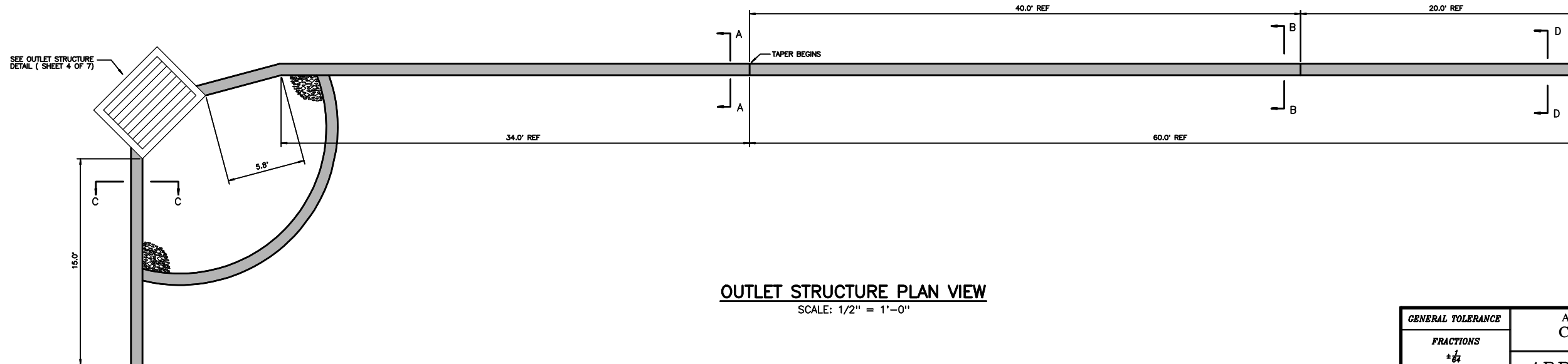
OUTLET STRUCTURE WALL SECTION "B-B"
SCALE: 1/2" = 1'-0"



OUTLET STRUCTURE WALL SECTION "C-C"
SCALE: 1/2" = 1'-0"



OUTLET STRUCTURE WALL SECTION "D-D"
SCALE: 1/2" = 1'-0"



OUTLET STRUCTURE PLAN VIEW
SCALE: 1/2" = 1'-0"

GENERAL TOLERANCE		ADDA National Design/Drafting Contest CAÑON CITY HIGH SCHOOL 1818 COLLEGE AVE.	
FRACTIONS	± 1/16"	ABBEY DETENTION BASIN	
DECIMALS	± 0.1		
ANGLES	± 0° - 15'		
DATE:	12/09/08	DRAWN BY: DAMON MCCAIN	DISTRICTOR: MIKE CESSAMAN
		INSTRUCTOR R-MAD: gessaman@ccpschools.org	SHEET 3 OF 7 SHEETS CATEGORY/DIVISION BC-STRU