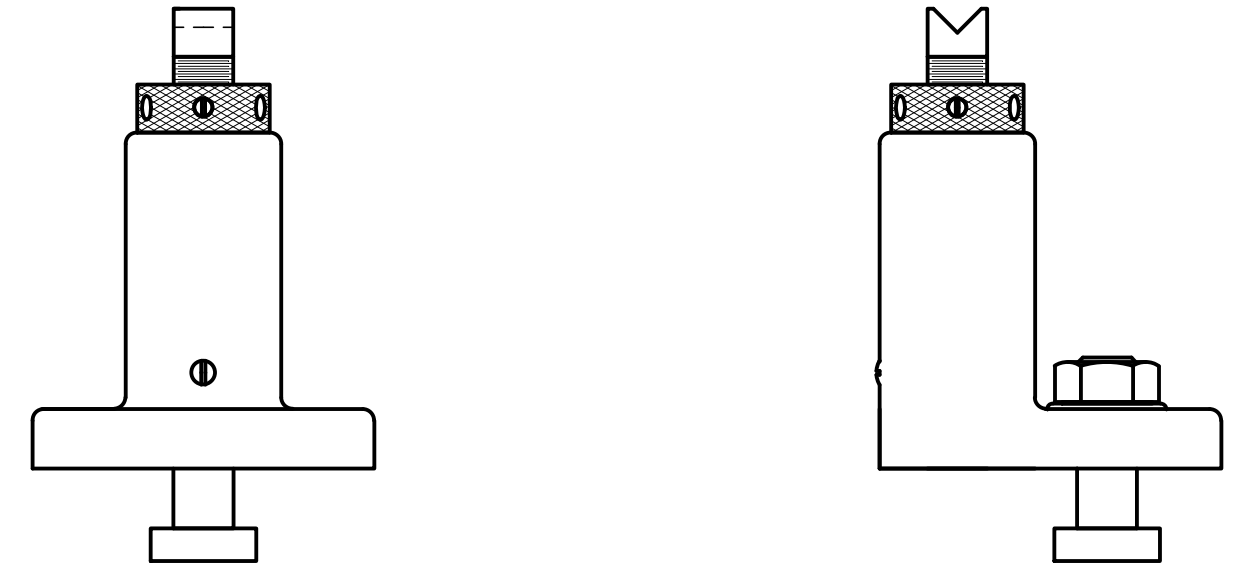


MAXIMUM HEIGHT OF V-ANVIL

MINIMUM HEIGHT OF V-ANVIL

FULL SECTION ASSEMBLY VIEW
FULL SIZE



SIMPLIFIED ASSEMBLY VIEWS
HALF SIZE

DET	REQ'D	DESCRIPTION	MAT'L	SHEET
10	1	#10 X 1/4 SLOT HDLS. SET SCREW (FLAT PT, CASE HDN)	SAE 1020	2
9	1	1/4 X 5/8 SLOT. HDLS SET SCREW (FULL DOG PT, CASE HDN)	SAE 1020	3
8	1	WASHER (CASE HDN)	SAE 1020	1
7	1	5/8 STD HEX NUT (CASE HDN)	SAE 1020	3
6	1	CLAMP BOLT(CASE HDN)	SAE 1020	3
5	1	PAD (FAO)	PHOSPHOR BRONZE	2
4	1	KNURLED NUT	SAE 1045 HEAT REAT	2
3	1	V-ANVIL (FAO)	SAE 1045 HEAT TREAT	3
2	1	SLIDING SCREW (FAO)	SAE 1045 HEAT TREAT	2
1	1	MILLING JACK BASE	CAST IRON	1

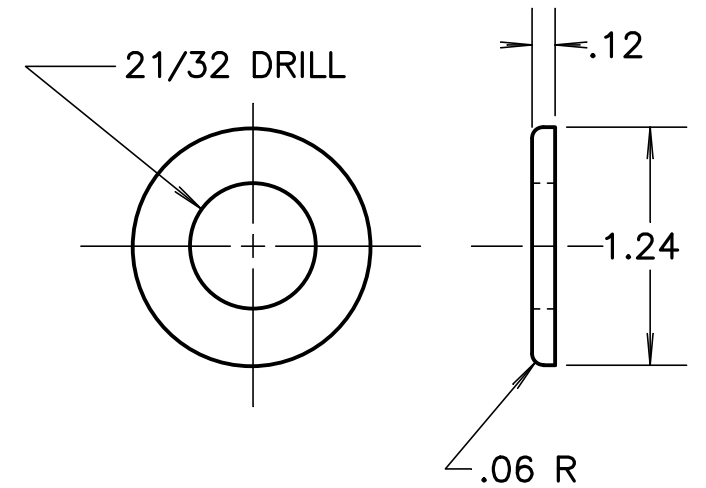
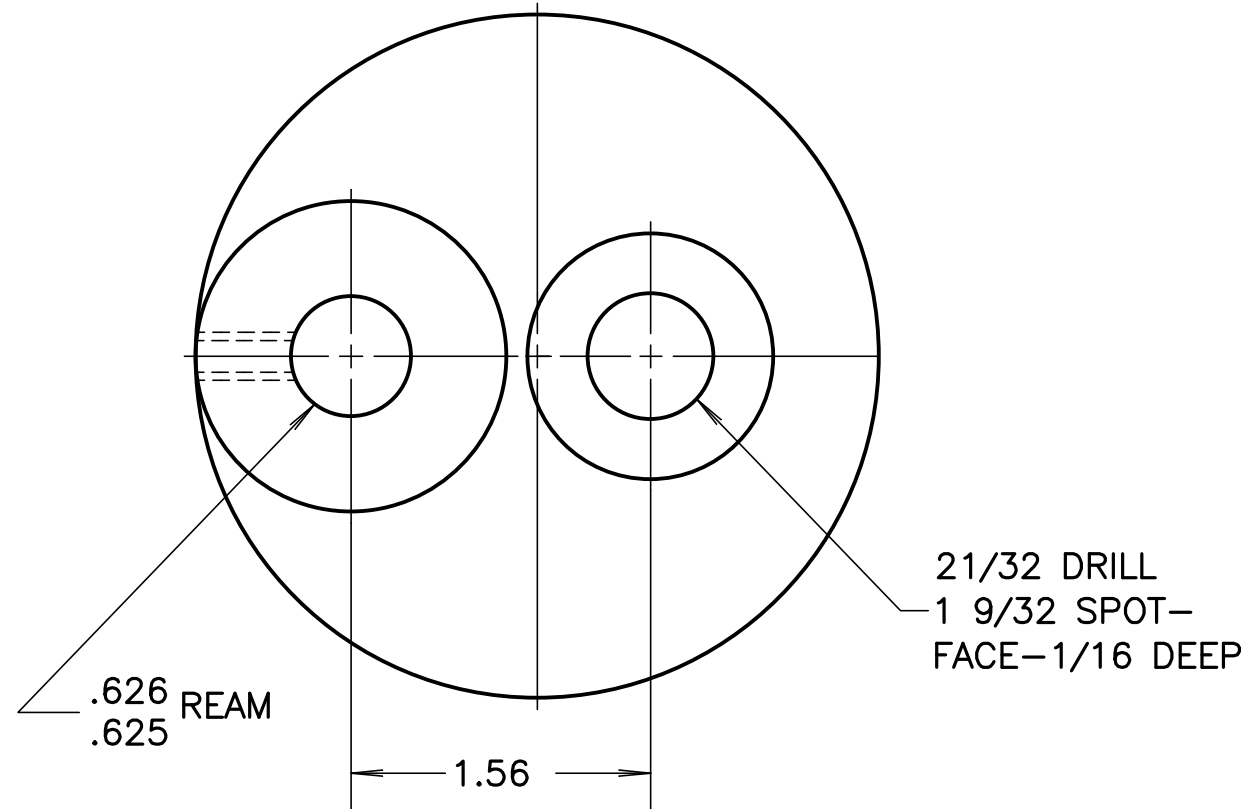
BILL OF MATERIALS

GENERAL TOLERANCE	ADDA National Design/Drafting Contest Cañon City High School Chapter 1313 College Avenue, Cañon City, Colorado 81212
FRACTIONS ± 1/64	
DECIMALS ±.003	
ANGLES ±0°- 15'	

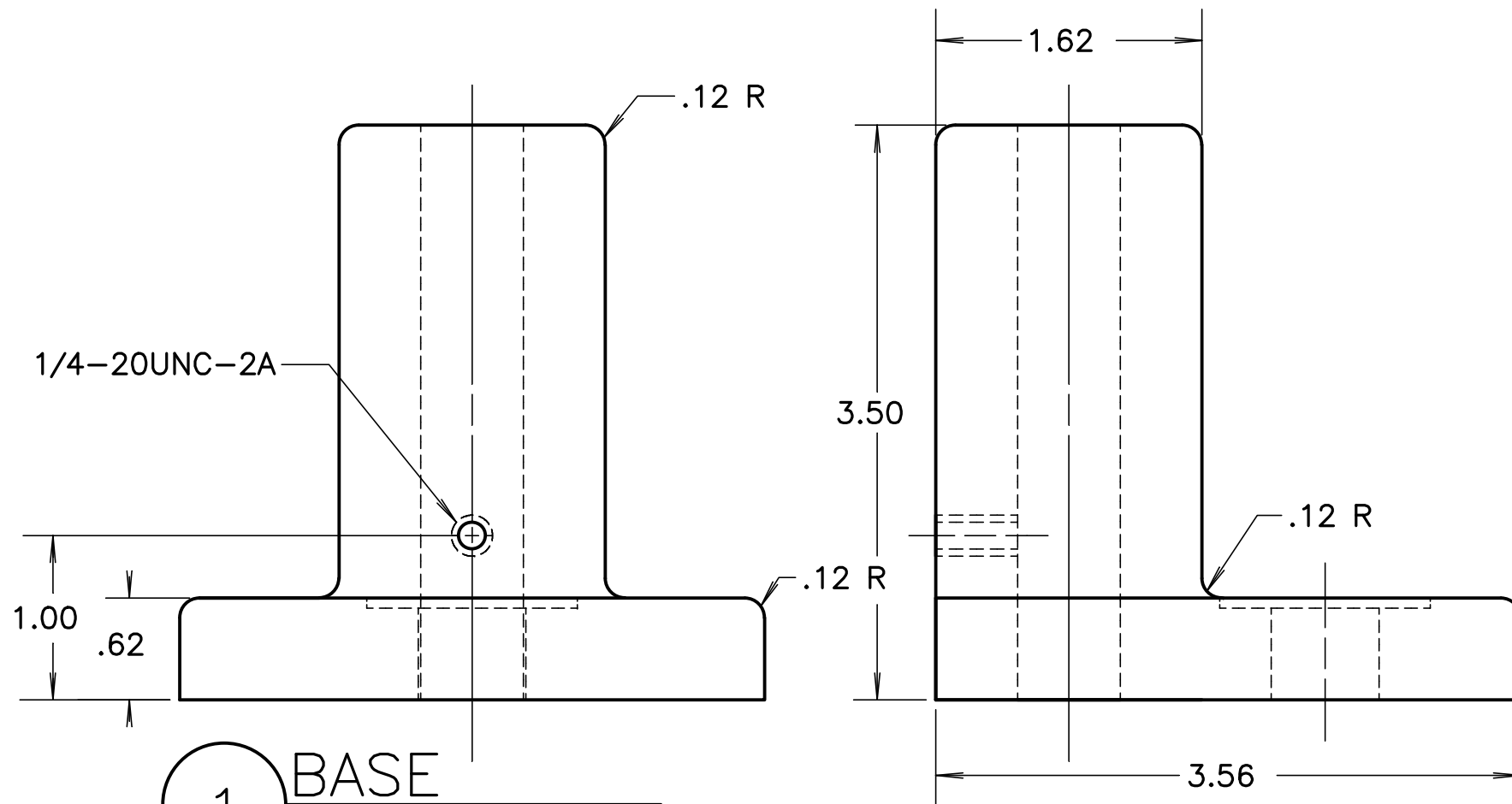
ADD A National Design/Drafting Contest
Cañon City High School Chapter
 1313 College Avenue, Cañon City, Colorado 81212

MILLING JACK

DRAWN: KALEEN E. MASSE	INSTRUCTOR: INSTRUCTOR'S NAME	SHEET 1 OF 4 SHEETS
DATE: 12/13/10	INSTRUCTOR E-MAIL: geesamm@canoncityschools.org	CATAGORY/DMSION B-MECH

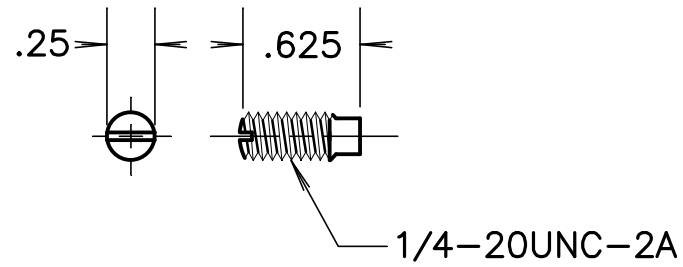


8 WASHER
SAE 1020 CASE HDN
1 REQ'D

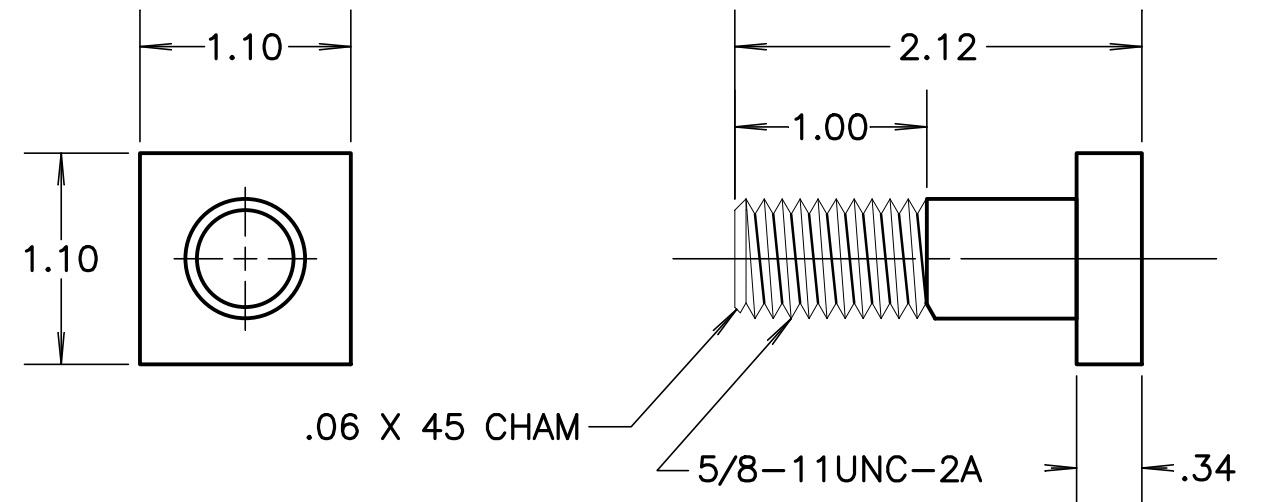


1 BASE
CI - 1 REQ'D

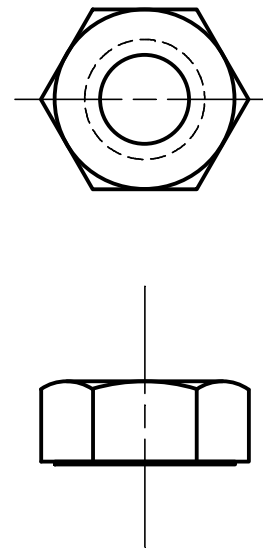
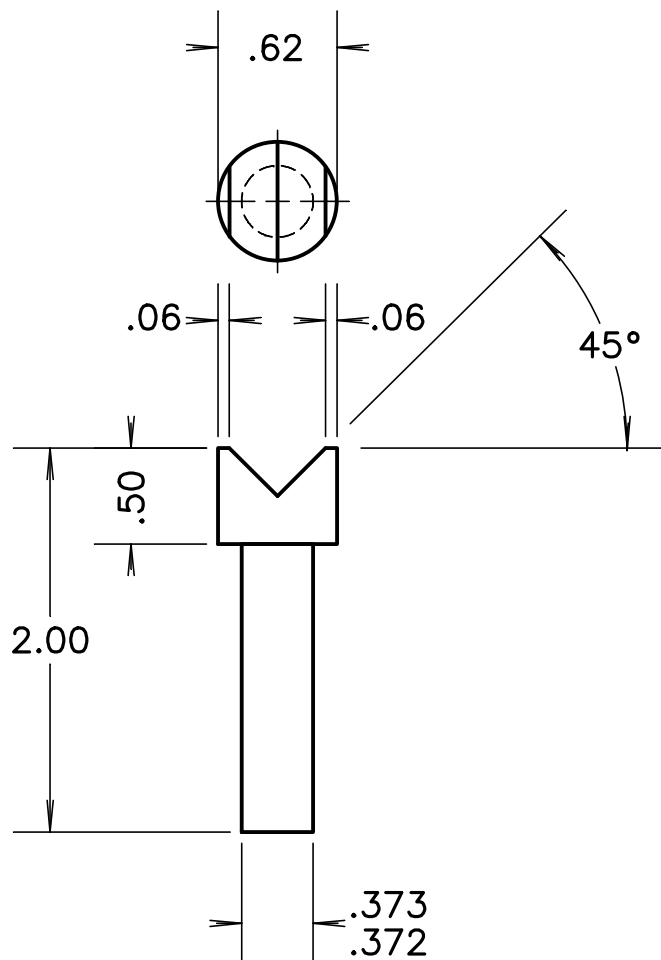
GENERAL TOLERANCE	ADDA National Design/Drafting Contest	
FRACTIONS $\pm \frac{1}{64}$	Cañon City High School Chapter 1313 College Avenue, Cañon City, Colorado 81212	
DECIMALS $\pm .003$	MILLING JACK	
ANGLES $\pm 0^\circ - 15'$	DRAWN: KALEEN E. MASSE	INSTRUCTOR: MIKE GEESAMAN
	DATE: 12/13/10	INSTRUCTOR E-MAIL: geesamm@canoncityschools.org
		SHEET 2 OF 4 SHEETS
		CATAGORY/DMSION B-MECH



9 SET SCREW FULL DOG PT
 1/4 X 5/8 SLOT. HDLS
 CASE HDN-1 REQ'D



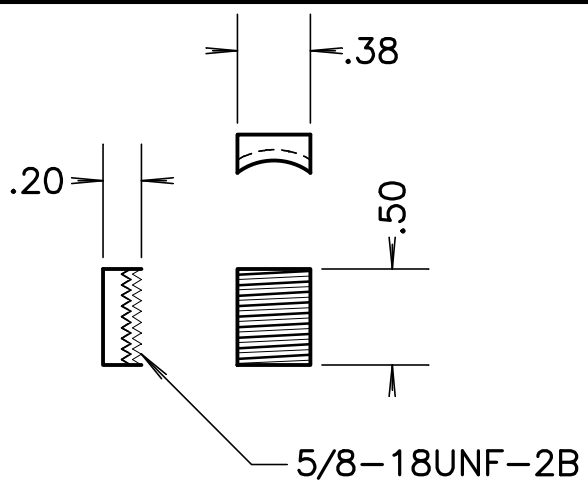
6 CLAMP BOLT
 SAE 1020-CASE HDN
 1 REQ'D



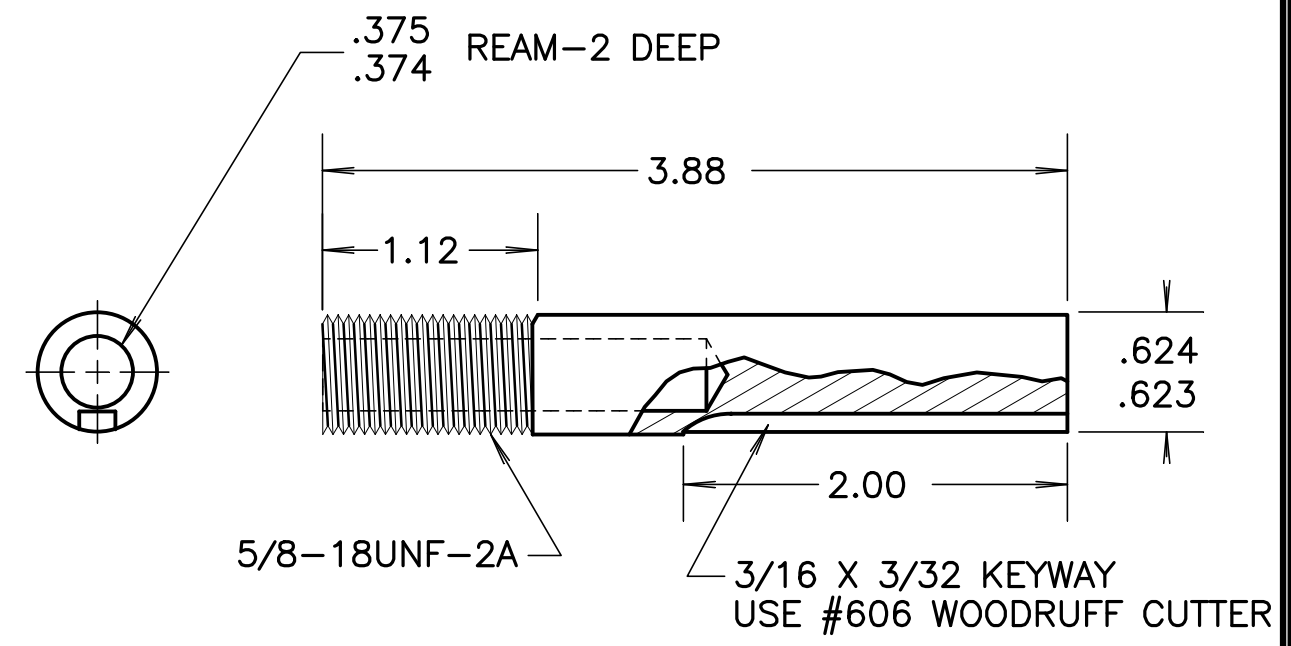
7 5/8 STUD HEX NUT
 CASE HDN-1 REQ'D
 (PURCHASED)

3 V-ANVIL
 SAE 1045 HEAT TREAT
 1 REQ'D-FAO

GENERAL TOLERANCE	ADDA National Design/Drafting Contest	
FRACTIONS $\pm \frac{1}{64}$	Cañon City High School Chapter	
DECIMALS $\pm .003$	1313 College Avenue, Cañon City, Colorado 81212	
ANGLES $\pm 0^\circ - 15'$	MILLING JACK	
	DRAWN: KALEEN E. MASSE	INSTRUCTOR: MIKE GEESAMAN
	DATE: 12/13/10	INSTRUCTOR E-MAIL: geesamm@canoncityschools.org
		SHEET 3 OF 4 SHEETS
		CATEGORY/DIVISION B-MECH

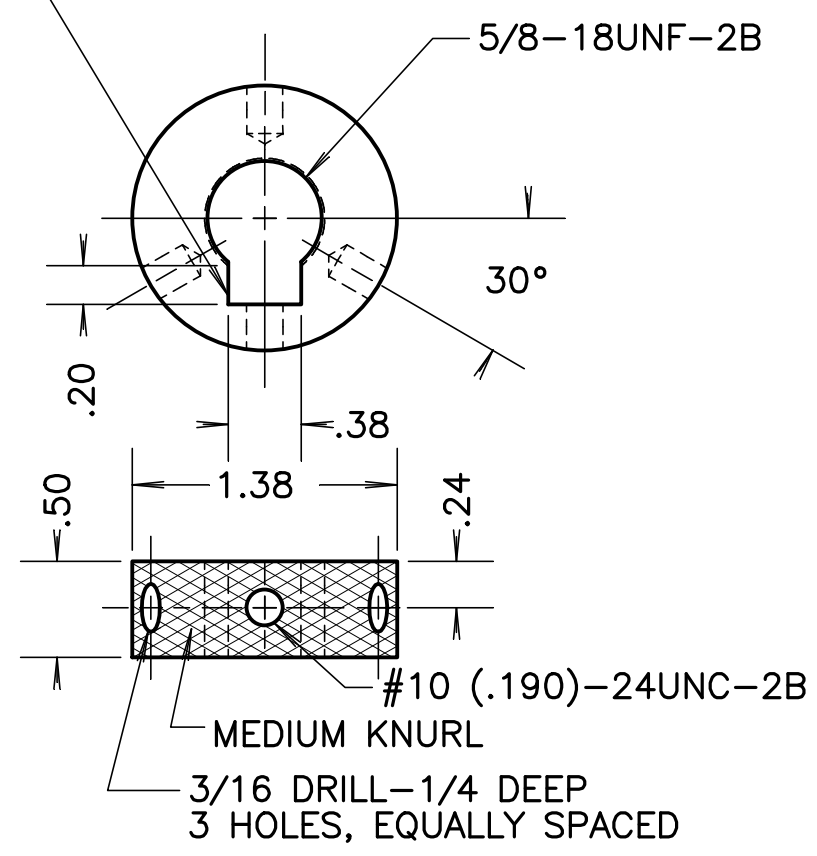


5 PAD
 PHOSPHOR BRONZE
 1 REQ'D-FAO

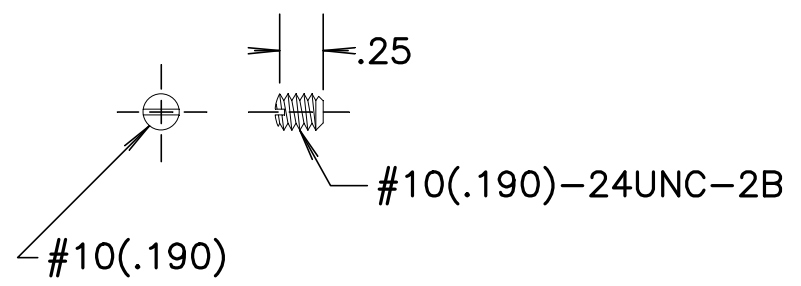


2 SLIDING SCREW
 SAE 1045 HEAT TREAT
 1 REQ'D-FAO

TO FIT



4 KNURLED NUT
 SAE 1045 HEAT TREAT
 1 REQ'D



10 SET SCREW FLAT PT
 #10 X 1/4 SLOT. HDLS
 CASE HDN-1 REQ'D

GENERAL TOLERANCE	ADDA National Design/Drafting Contest	
	Cañon City High School Chapter 1313 College Avenue, Cañon City, Colorado 81212	
FRACTIONS ± 1/64	MILLING JACK	
DECIMALS ±.003		
ANGLES ±0°- 15'	DRAWN: KALEEN E. MASSE	INSTRUCTOR: MIKE GEESAMAN
	DATE: 12/13/10	INSTRUCTOR E-MAIL: geesamm@canoncityschools.org
		SHEET 4 OF 4 SHEETS
		CATEGORY/DIVISION B-MECH