

1	1	TOOL POST BODY	CAST IRON	2
2	1	WEDGE	SAE 1045 HEAT TREAT	3
3	1	BOLT	SAE 1040 HEAT TREAT	3
4	2	TOOL POST SCREW	SAE 1040 HEAT TREAT	2
5	1	ADJUSTING SCREW	SAE 1040 HEAT TREAT	2
6	1	AMER STD FINISHED HEX NUT	SAE 1040	3
7	2	SET SCREW	SAE 1040 HEAT TREAT	2
8	1	WASHER	SAE 1040	3
9	1	WASHER	SAE 1040 HEAT TREAT	3
10	1	ADJUSTING NUT	SAE 1040 HEAT TREAT	3
DET	REQ'D	DESCRIPTION	MAT'L	SHEET

BILL OF MATERIALS

GENERAL TOLERANCE

FRACTIONS
 $\pm \frac{1}{64}$

DECIMALS
 $\pm .003$

ANGLES
 $\pm 0^\circ - 15'$

ADDA National Design/Drafting Contest
CANON CITY HIGH SCHOOL
 1313 COLLEGE AVE.

TOOL POST

DRAWN:
 ANDREW STEELE

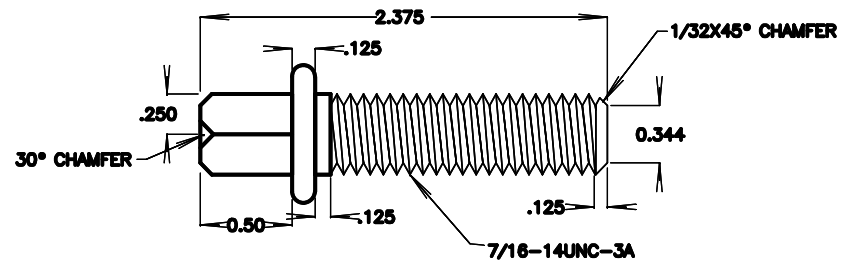
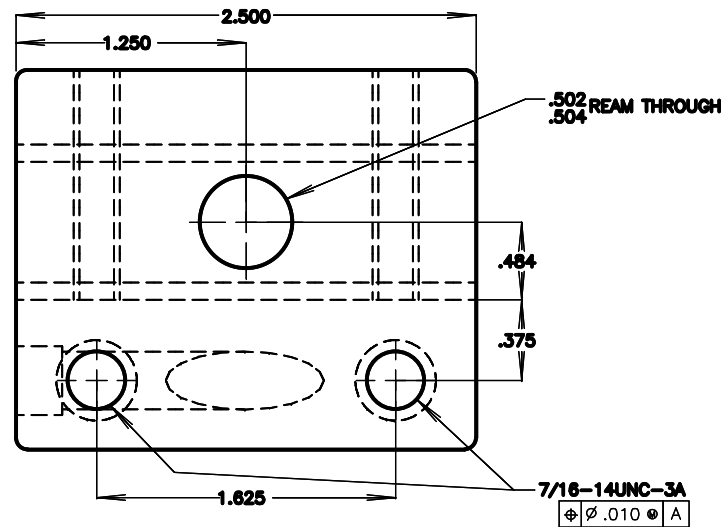
DATE:
 12-10-08

INSTRUCTOR:
 MIKE GEESAMAN

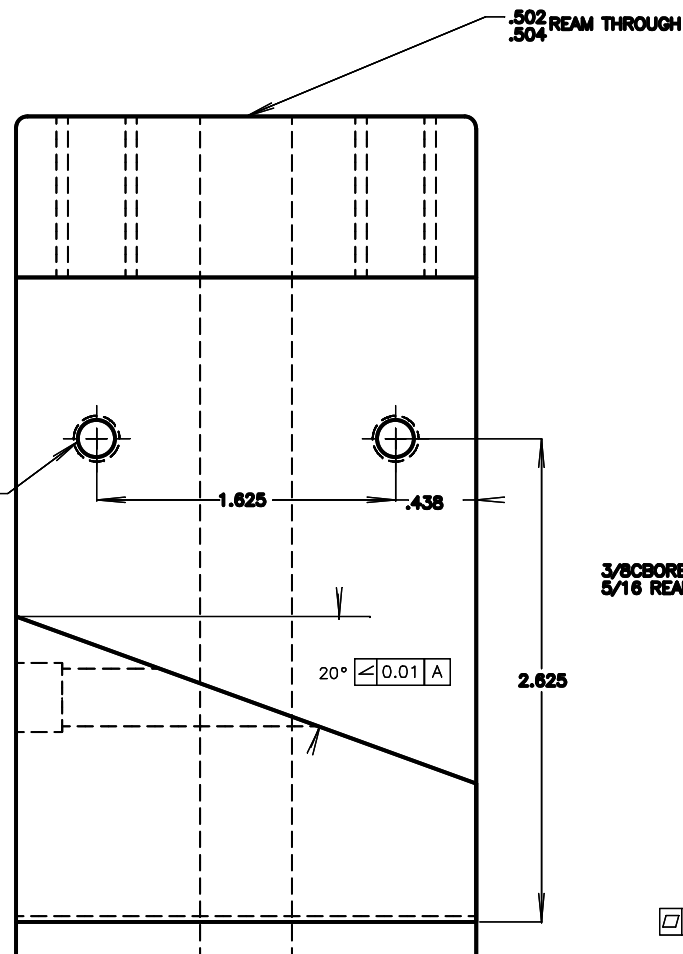
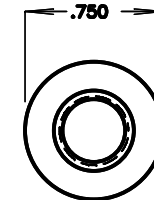
INSTRUCTOR E-MAIL:
 geesaman@canoncityschools.org

SHEET 1 OF 4 SHEETS

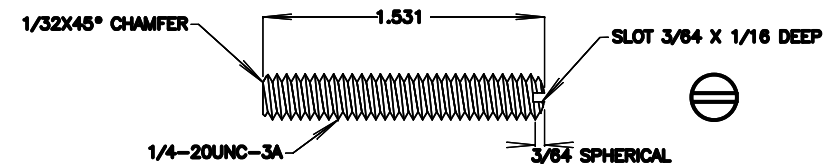
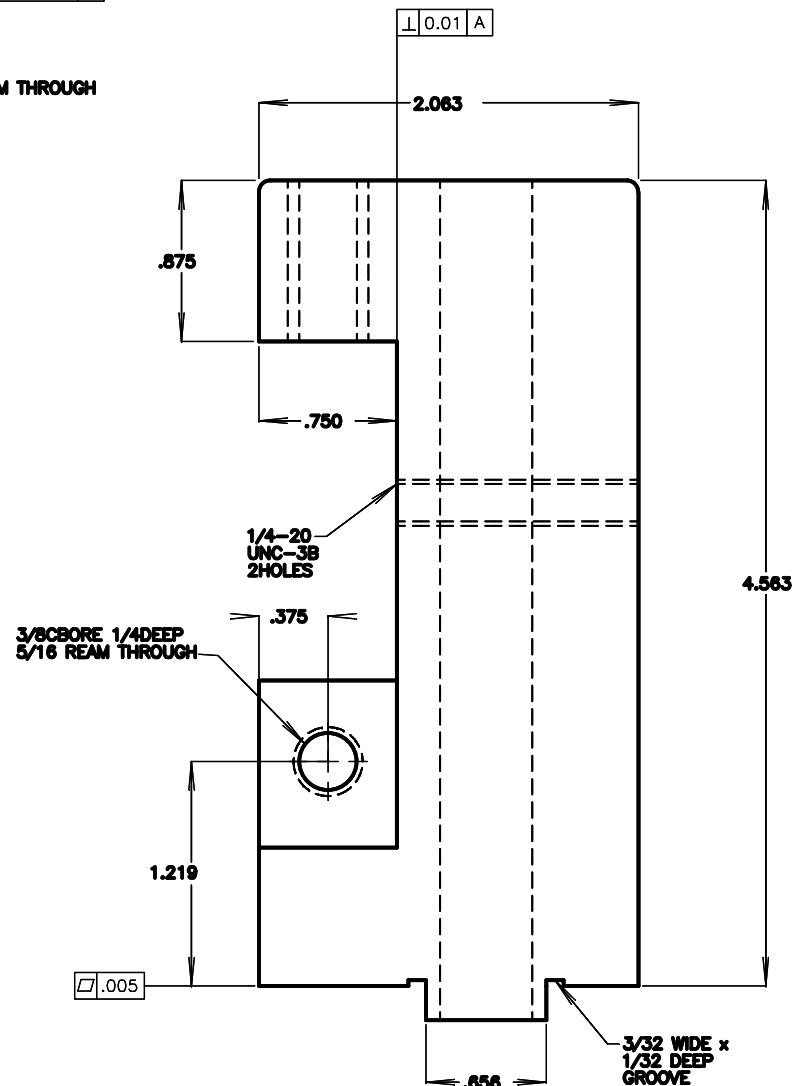
CATAGORY/DMSION
BC-MECH



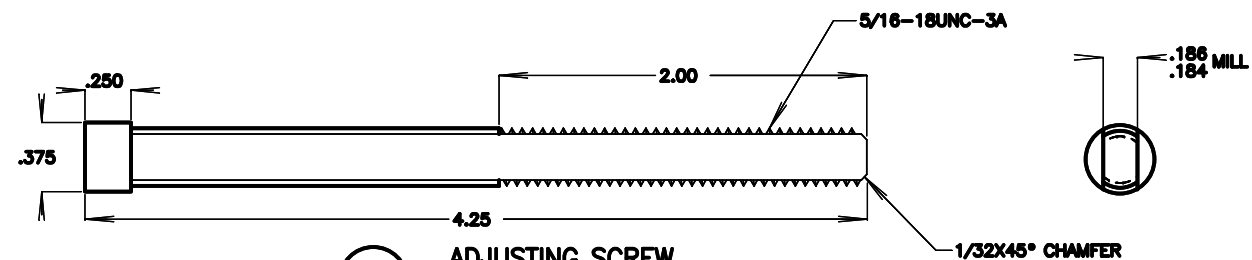
4 TOOL POST SCREW
 MAT'L SAE 1040 HEAT TREAT
 2 REQ'D



1 TOOL POST BODY
 MAT'L CAST IRON-1 REQ'D

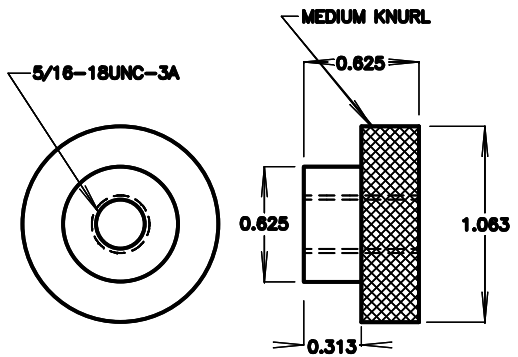
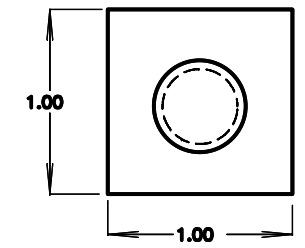


7 SET SCREW
 MAT'L SAE 1040 HEAT TREAT
 2 REQ'D

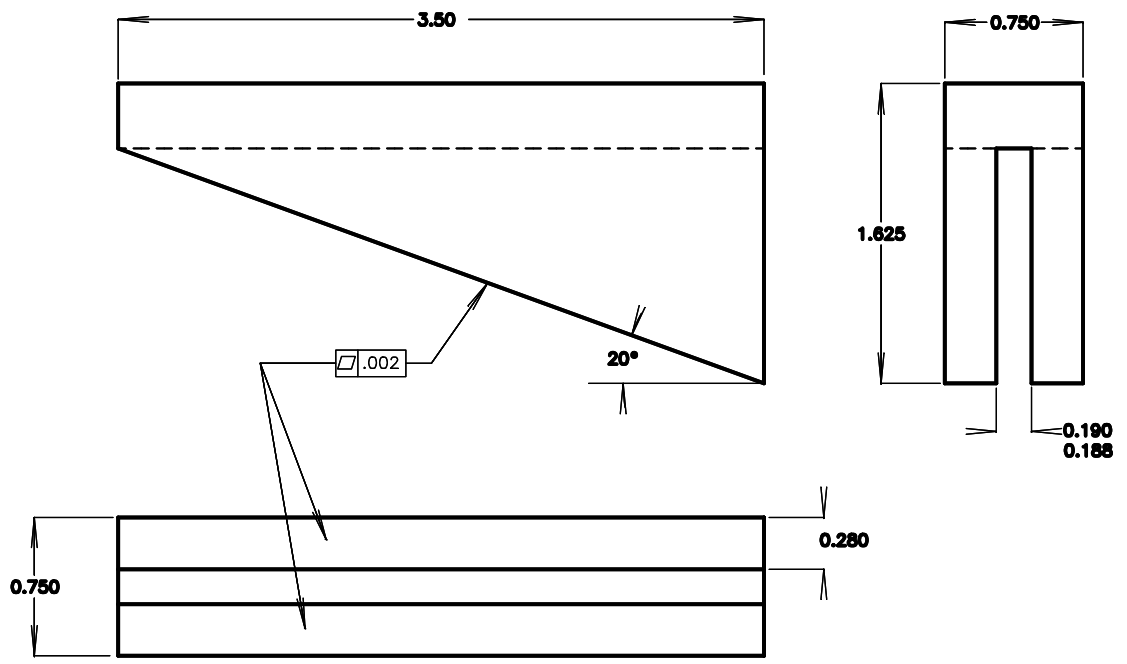


5 ADJUSTING SCREW
 MAT'L SAE 1040 HEAT TREAT
 1 REQ'D

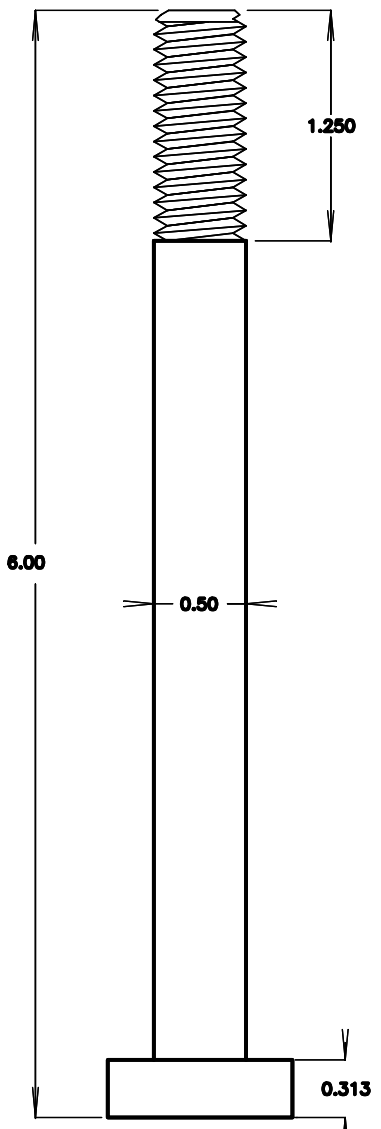
GENERAL TOLERANCE FRACTIONS $\pm \frac{1}{64}$ DECIMALS $\pm .003$ ANGLES $\pm 0^\circ - 15'$	ADDA National Design/Drafting Contest CANON CITY HIGH SCHOOL 1313 COLLEGE AVE.	
	TOOL POST	
DRAWN: ANDREW STEELE	INSTRUCTOR: MIKE GEESAMAN	SHEET 2 OF 4 SHEETS
DATE: 12-10-08	INSTRUCTOR E-MAIL: geesaman@canoncitieschools.org	CATAGORY/DVMSION BC-MECH



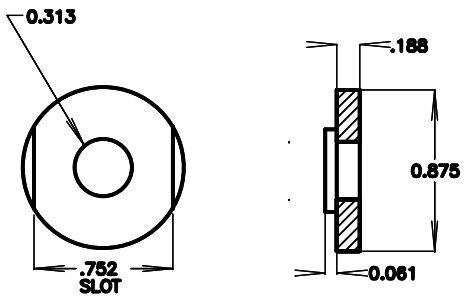
10 ADJUSTING NUT
 MAT'L SAE 1040 HEAT TREAT
 1 REQ'D



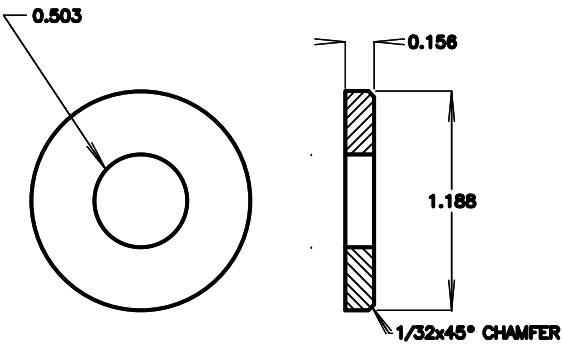
2 WEDGE
 MAT'L SAE 1045 HEAT TREAT
 1 REQ'D



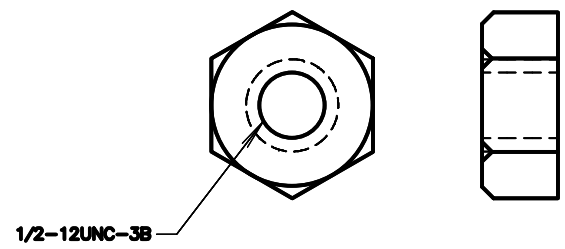
4 BOLT
 MAT'L SAE 1040 HEAT TREAT
 1 REQ'D



9 WASHER
 MAT'L SAE 1040 HEAT TREAT
 1 REQ'D



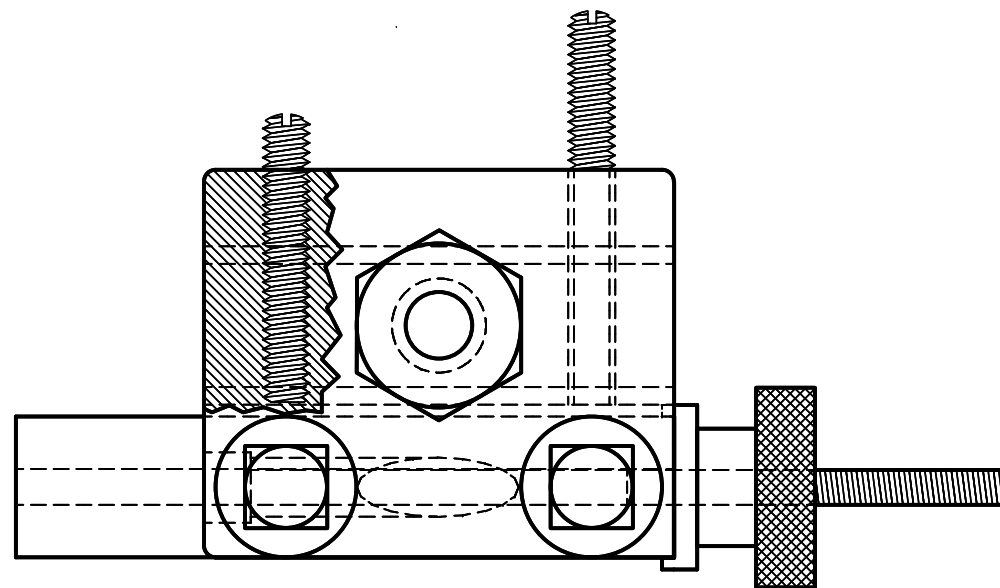
8 WASHER
 MAT'L SAE 1040 HEAT TREAT
 1 REQ'D



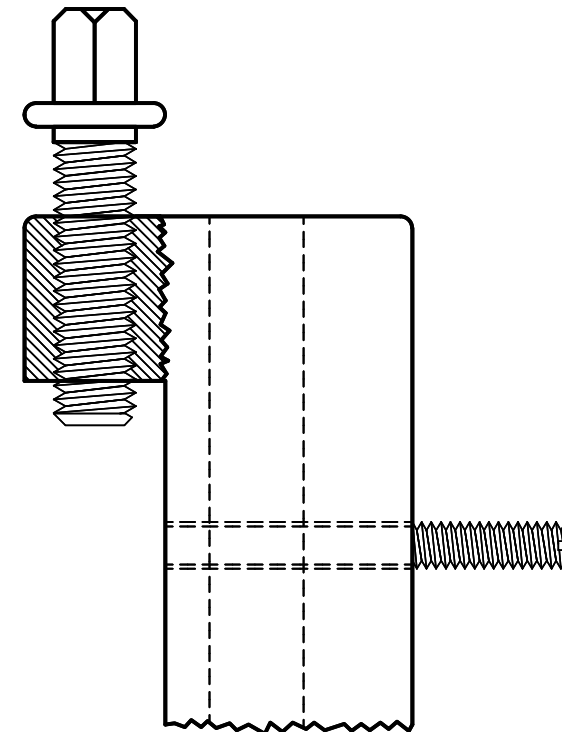
6 AMER STUD FINISHED HEX NUT
 MAT'L SAE 1040
 1 REQ'D

GENERAL TOLERANCE FRACTIONS $\pm \frac{1}{64}$ DECIMALS $\pm .003$ ANGLES $\pm 0^\circ - 15'$	ADDA National Design/Drafting Contest CANON CITY HIGH SCHOOL 1313 COLLEGE AVE.	
	TOOL POST	
DRAWN: ANDREW STEELE	INSTRUCTOR: MIKE GEESAMAN	SHEET 3 OF 4 SHEETS
DATE: 12-10-08	INSTRUCTOR E-MAIL: geesaman@canoncityschools.org	CATEGORY/DIVISION BC-MECH

EXTRA ASSEMBLY VIEWS



TOP VIEW OF ASSEMBLY WITH ALL SCREWS BOLTS AND WASHERS SHOWING SET SVREW USE FROM BACK



SIDE VIEW OF ASSEMBLY WITH TOOL POST SCREW AND SET SCREW

GENERAL TOLERANCE		ADDA National Design/Drafting Contest CANON CITY HIGH SCHOOL 1313 COLLEGE AVE.	
FRACTIONS $\pm \frac{1}{64}$ DECIMALS $\pm .003$ ANGLES $\pm 0^\circ - 15'$		TOOL POST	
DRAWN: ANDREW STEELE	INSTRUCTOR: MIKE GEESAMAN	SHEET 4 OF 4 SHEETS	
DATE: 12-10-08	INSTRUCTOR E-MAIL: geesaman@canoncityschools.org	CATAGORY/DIVISION BC-MECH	