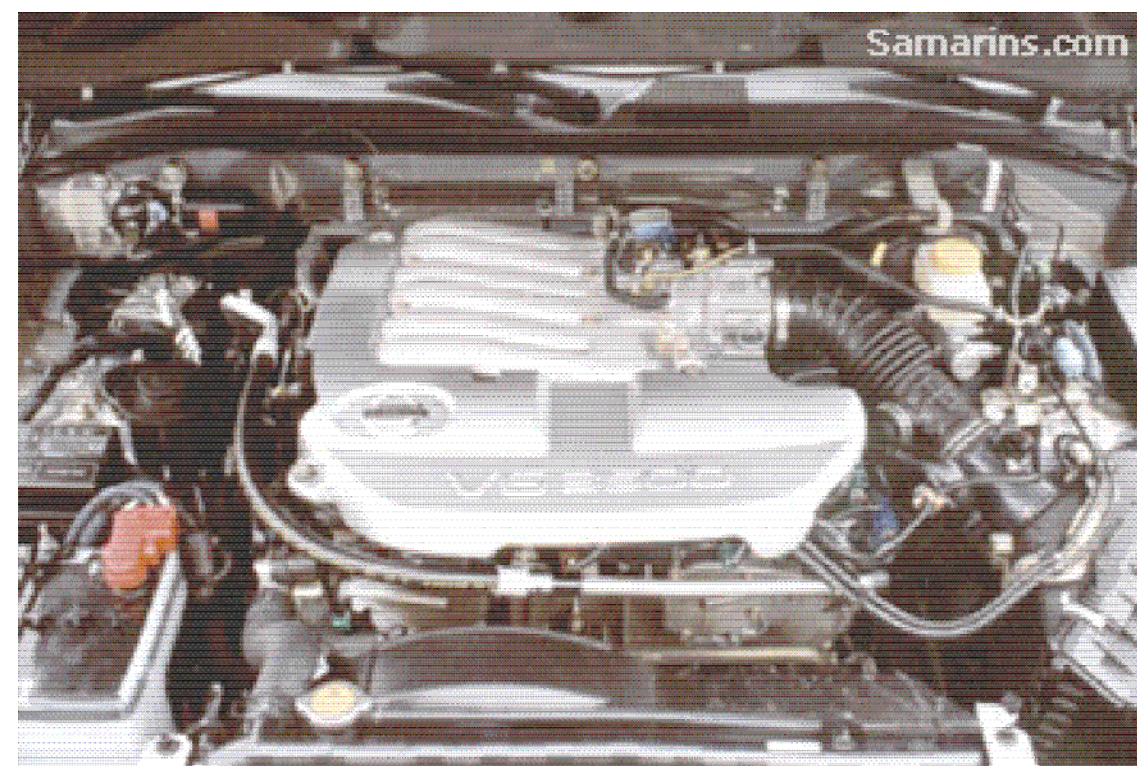
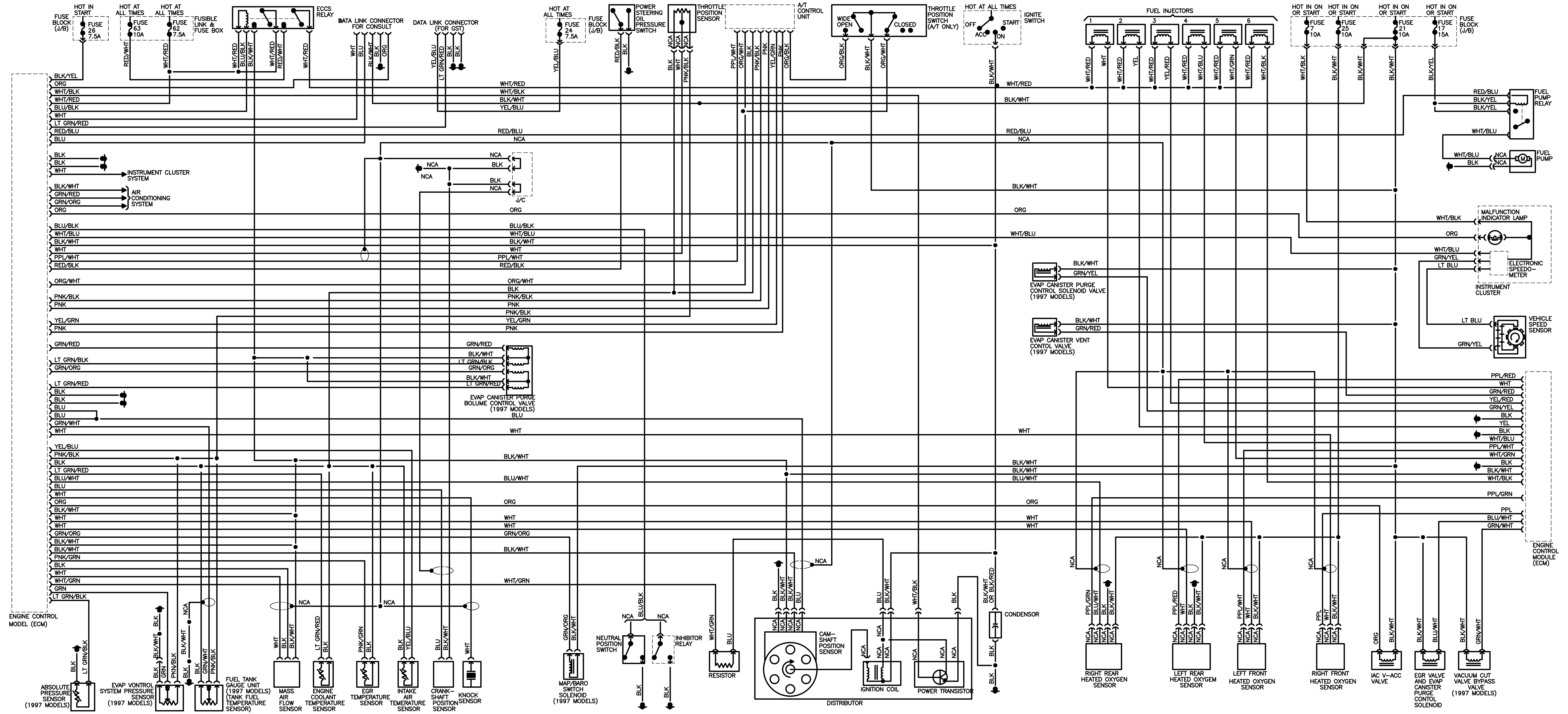


1997 Nissan Pathfinder Electrical Schematic



NOTE:
WHEN A CABLE HAS TWO COLORS THE FIRST INDICATES THE BASIC COLOR OF THE WIRE AND THE SECOND COLOR INDICATES THE MARKING COLOR (THE COLOR STRIP ON THE WIRE.)

WIRE COLOR	GAUGE
BLK	18
BLK	20
BLK	22
BLK	24
BLK	26
BLK	28
BLK	30
BLK	32
BLK	34
BLK	36
BLK	38
BLK	40
BLK	42
BLK	44
BLK	46
BLK	48
BLK	50
BLK	52
BLK	54
BLK	56
BLK	58
BLK	60
BLK	62
BLK	64
BLK	66
BLK	68
BLK	70
BLK	72
BLK	74
BLK	76
BLK	78
BLK	80
BLK	82
BLK	84
BLK	86
BLK	88
BLK	90
BLK	92
BLK	94
BLK	96
BLK	98
BLK	100

GENERAL TOLERANCE		ADDA National Design/Drafting Contest	
FRACTIONS		Canon City High School	
± 1/64		1813 College Ave. Canon City CO, 81212	
DECIMALS		1997 Nissan Pathfinder	
± .003		Electrical Schematic	
ANGLES		DATE: 12/10/08	INSTRUCTOR: Mike Geesaman
± 0° - 15'		INSTRUCTOR E-MAIL: GEESSAM@CANONCITYSCHOOLS.ORG	STREET 1 OF 1
		CATEGORY/DIVISION	BC-ELEC